



MRS-5

WEATHERPROOF MAIN/RESERVE TRANSFER STATION



P/N: 97416

Features

- NEMA 4X Enclosure
- Surface Mount
- Key Removable in Both Positions
- Two N.C. Contacts, Two N.O. Contacts
- Enclosure: UL Listed, CE, CSA
- Keyed Selector: UL Listed, CE, CSA

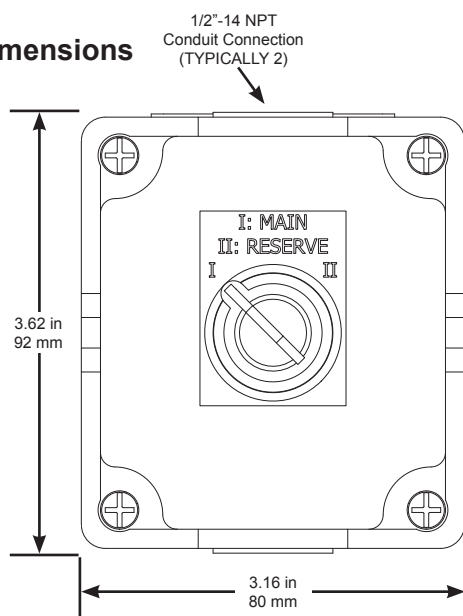
Description

The Janus Fire Systems® MRS-5 Weatherproof Keyed Main/Reserve Transfer Station is used to transfer suppression system releasing circuits from a main supply to a reserve supply. The MRS-5 comes with a key that is removable in either the main or reserve position. The MRS-5 has an aluminum enclosure that is rated NEMA 4X for outdoor use. It ships with an operation instruction plate to be mounted above the station.

Operation

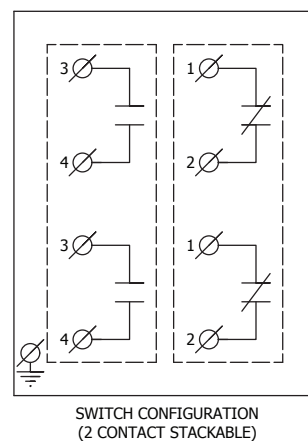
To transfer control to the reserve cylinder arrangement, insert key and turn to reserve position. Then remove key.

Dimensions



Station Depth: Approx. 4 in (101.6 mm)

Schematic





Specifications

Temperature:	-13° to 120°F (-25° to 48.9°C)
Weight:	1.2 lbs (0.5 kg)
Dimensions:	3.62 in H x 3.16 in W x 4.4 in D (92 mm x 80 mm x 101.6 mm)
Color:	Face Plate – Painted Aluminum
Contacts (DPDT) Rating:	4 amps at 30 VAC; 0.5 amps at 30 VDC
Terminal Connections:	2 x 16 AWG, 1 x 14 AWG

Ordering Information

Model	P/N	Description	Ship Wt. lb (kg)
MRS-5	97416	Keyed Main/Reserve Transfer Station - Weatherproof	1.2 (0.5)
N/A	99997	N.C. Contact Block - Red	0.1 (0.05)
N/A	99998	N.O. Contact Block - Green	0.1 (0.05)
N/A	99996	Replacement Key	0.1 (0.05)

Note: Listings and Approval are maintained by Teknik Electric Pvt Ltd

The seller makes no warranties, express or implied, including, but not limited to, the implied warranties of merchantability and fitness for a particular purpose, except as expressly stated in the seller's sales contract or sales acknowledgment form. Every attempt is made to keep our product information up-to-date and accurate. All specific applications cannot be covered, nor can all requirements be anticipated. All specifications are subject to change without notice.



1102 Rupcich Drive
 Millennium Park
 Crown Point, IN 46307
 TEL: (219) 663-1600 FAX: (219) 663-4562
 e-mail: info@janusfiresystems.com
www.janusfiresystems.com