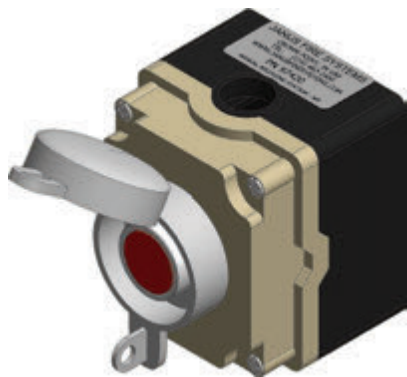


MMS-5

WEATHERPROOF MOMENTARY RELEASING STATION



P/N: 97420

Features

- NEMA 4X Enclosure
- Dual Action Momentary Pushbutton
- Surface Mount
- Two N.O. Contacts and Two N.C. Contacts
- Enclosure: UL Listed, CE, CSA
- Selector Switch: UL Listed, CE, CSA

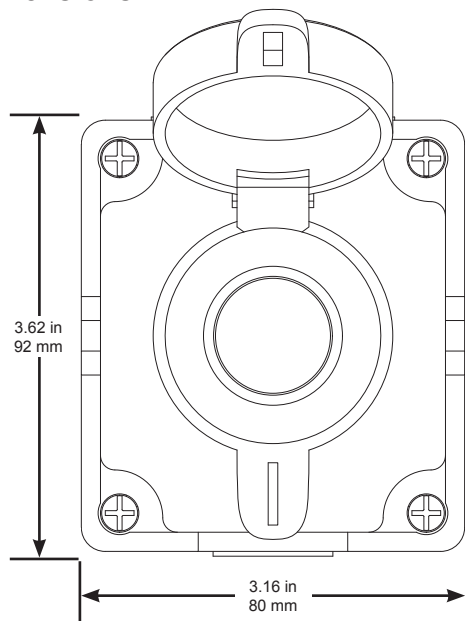
Description

The Janus Fire Systems® MMS-5 Weatherproof Momentary Releasing Station is utilized when a non-maintained manually initiated release of fire suppression agent is required. The manual release is achieved with a red flush momentary pushbutton that is protected by a lift-open button cover. A yellow tamper seal is provided for additional security to prevent accidental operation. The MMS-5 has an aluminum enclosure that is rated NEMA 4X for outdoor use. It ships with an operation instruction plate to be mounted above the station.

Operation

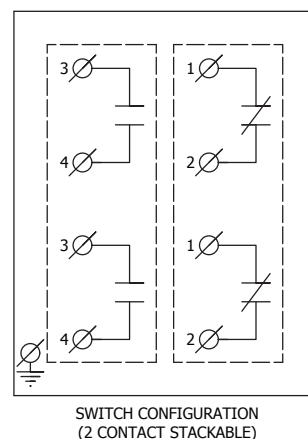
The MMS-5 is operated by breaking the yellow tamper seal, lifting the button cover, and depressing the red flush pushbutton.

Dimensions



Station Depth: Approx. 4 in (101.6 mm)

Schematic





Specifications

Temperature:	-13° to 120°F (-25° to 48.9°C)
Weight:	1.2 lbs (0.5 kg)
Dimensions:	3.62 in H x 3.16 in W x 4 in D (92 mm x 80 mm x 101.6 mm)
Color:	Face Plate – Painted Aluminum Flush Pushbutton – Red
Contacts Rating:	4 amps at 30 VAC; 0.5 amps at 30 VDC
Terminal Connections:	2 x 16 AWG, 1 x 14 AWG

Ordering Information

Model	P/N	Description	Ship Wt. lb (kg)
MMS-5	97420	Momentary Manual Releasing Station - Weatherproof	1.2 (0.5)
N/A	01387	Tamper Seal, Yellow, Polypropylene (Spare)	0.1 (0.05)
N/A	99997	N.C. Contact Block - Red	0.1 (0.05)
N/A	99998	N.O. Contact Block - Green	0.1 (0.05)

Note: Listings and Approval are maintained by Teknik Electric Pvt Ltd

The seller makes no warranties, express or implied, including, but not limited to, the implied warranties of merchantability and fitness for a particular purpose, except as expressly stated in the seller's sales contract or sales acknowledgment form. Every attempt is made to keep our product information up-to-date and accurate. All specific applications cannot be covered, nor can all requirements be anticipated. All specifications are subject to change without notice.



1102 Rupcich Drive
 Millennium Park
 Crown Point, IN 46307
 TEL: (219) 663-1600 FAX: (219) 663-4562
 e-mail: info@janusfiresystems.com
www.janusfiresystems.com