

JFS-ANN1

LCD ANNUNCIATOR



Features

- Standby Current: 20 mA
- Alarm Current: 25 mA
- Ambient Operating Temperature: 0°C-49°C (32°F-120°F) 10%-93% @ 30°C (86°F) non-condensing humidity
- Maximum Wire Length: 6500 FT
- Maximum Annunciators: 31
- Size (WxHxD): 8" x 6-1/4" x 1-5/8"
- Wire Gauge: 14 AWG-22 AWG
- For JFS-IP Series and JFS-A Series



P/N 99247

Description

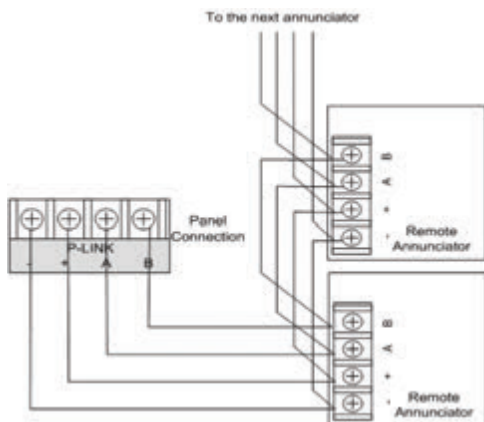
The JFS-ANN1 is a LCD remote annunciator for the JFS-IP Series and JFS-A Series addressable fire control panels. The JFS-ANN1 communicates using a RS-485 connection to the main panel providing common indication of Alarms, Supervisory, Trouble and other system status and control functions.

The JFS-ANN1 features a 16x2 LCD display with LED's for Power, Alarm, Supervisory, Trouble, and Silenced conditions. It also provides Release and Pre-Release LED's to indicate releasing status. It can be mounted on a single gang electrical box or a two square electrical box. The annunciator is enclosed in a sheet metal enclosure and has a lock securing the keypad.

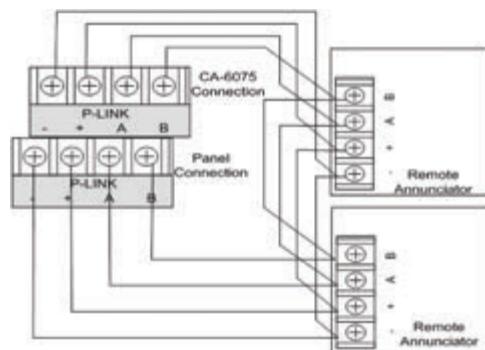
Installation

The JFS-ANN1 is connected to the control panel using a four wire RS-485 connection. The connection is power limited and supervised. Up to thirty-one (31) JFS-ANN1 LCD annunciators can be connected using Class B or Class A wiring. Class A wiring requires an optional CA-6075 or CA-6500 Class A Expander depending on the control panel (refer to control panel datasheets).

Class B Wiring Example



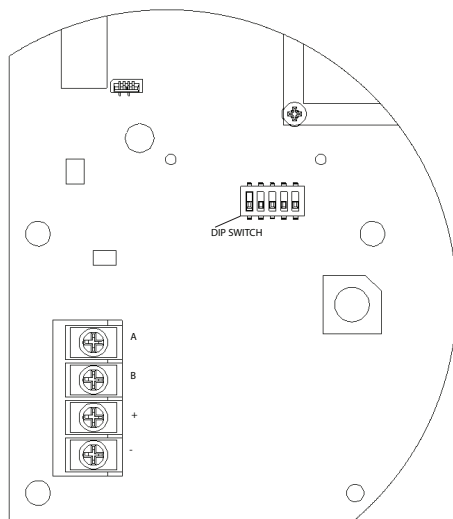
Class A Wiring Example



Address Settings

The JFS-ANN1 address is set by dip switch S1 located on the back of the JFS-ANN1. The address must be set in the range of 1 to 31 to be recognized by the control panel.

JFS-ANN1 Class A (back panel view)



Dip Switch Settings

Refer to the table on the right for dip switch settings per Annunciator Address.

Annunciator Address	Dip Switch Settings				
	SW-1	SW-2	SW-3	SW-4	SW-5
1	On	Off	Off	Off	Off
2	Off	On	Off	Off	Off
3	On	On	Off	Off	Off
4	Off	Off	On	Off	Off
5	On	Off	On	Off	Off
6	Off	On	On	Off	Off
7	On	On	On	Off	Off
8	Off	Off	Off	On	Off
9	On	Off	Off	On	Off
10	Off	On	Off	On	Off
11	On	On	Off	On	Off
12	Off	Off	On	On	Off
13	On	Off	On	On	Off
14	Off	On	On	On	Off
15	On	On	On	On	Off
16	Off	Off	Off	Off	On
17	On	Off	Off	Off	On
18	Off	On	Off	Off	On
19	On	On	Off	Off	On
20	Off	Off	On	Off	On
21	On	Off	On	Off	On
22	Off	On	On	Off	On
23	On	On	On	Off	On
24	Off	Off	Off	On	On
25	On	Off	Off	On	On
26	Off	On	Off	On	On
27	On	On	Off	On	On
28	Off	Off	On	On	On
29	On	Off	On	On	On
30	Off	On	On	On	On
31	On	On	On	On	On

Note: Approvals/Listings maintained by and manufactured by Potter Electric Signal Company.

The seller makes no warranties, express or implied, including, but not limited to, the implied warranties of merchantability and fitness for a particular purpose, except as expressly stated in the seller's sales contract or sales acknowledgment form. Every attempt is made to keep our product information up-to-date and accurate. All specific applications cannot be covered, nor can all requirements be anticipated. All specifications are subject to change without notice.



1102 Rupcich Drive
 Millennium Park
 Crown Point, IN 46307
 TEL: (219) 663-1600 FAX: (219) 663-4562
 e-mail: info@janusfiresystems.com
www.janusfiresystems.com