



SH-1224 SERIES

SELECT-A-HORN/STROBE



P/N: See Chart

- 24 VDC with 15, 35, 60, 75, 95 or 110 cd settings
- SH-1224-R - Indoor only
- SH-1224WP-R – Outdoor* or indoor
- 6 distinctive candela settings
- Candela selection view window
- 15/75 ADA compliant on 60cd setting
- 33 sound output settings
- Horn or chime sound output
- Pre-wire back plate
- Universal back plate mounting (single gang, double gang, octagon, or 4" square)
- Single screw mounting
- Low current draw
- Synchronization requires Sync Module (SMD10-3A)

* Outdoor installation requires the BBK-1 (P/N 18865) or BBX-5 (P/N 99984)

The SH-1224 Horn/Strobe Series provides a wide range of candela light output options in a single device. The candela settings include a 12 or 24 volt DC operation for the 15, 35 and 60 (75 on axis) candela settings and 24 volt DC operation for the 15, 35, 60, 75, 95 and 110 candela settings. The candela setting is displayed through the front window and is selectable using a drum wheel. The strobes can be synchronized using a SMD10-3A sync module.

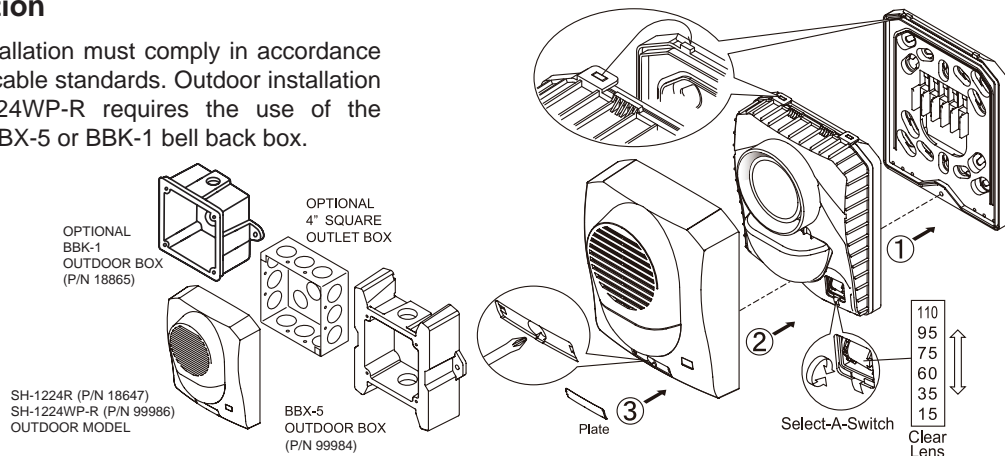
The horn settings include Temporal, Non-Temporal, March Time and a Chime sound. The horn also has Low, Mid and High volume settings for each pattern and tone. The tones include 2400 Hz, Electro-Mechanical and Broadband. The voltage input can be either regulated DC or full wave rectified (FWR) 12 volt or 24 volt operation with an operating range of 8 to 33VDC.

The SH-1224 Series utilizes a universal mounting plate that will mount on a single gang, double gang, octagon and 4" square electrical boxes. The back plate allows the installer to mount the plate and terminate the wire connections. The horn/strobe attaches in a hinge fashion from the top and is secured by a single mounting screw. The horn/strobe completely covers the mounting back plate, therefore it can be mounted before other trades work is completed and not affect the final look.

The SH-1224WP-R is listed for both outdoor and indoor installations. For outdoor installations the device must be mounted on a matching BBX-5 back box or a BBK-1 bell back box.

Installation

Note: Installation must comply in accordance with applicable standards. Outdoor installation of SH-1224WP-R requires the use of the optional BBX-5 or BBK-1 bell back box.

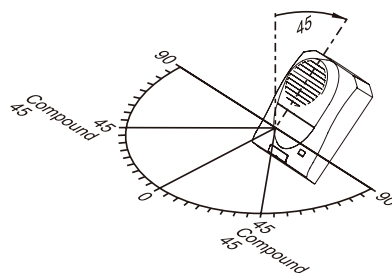
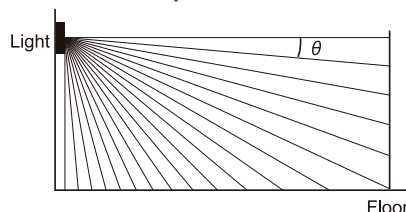




Specifications		
Voltage	12/24V	
UL Designation	Regulated 12 DC/FWR	Regulated 24 DC/FWR
Operating Voltage Range	8 - 17.5V	16 - 33V
Flash Rate	60 times/min.	
Sync Module (SMD10-3A)	NA	Available
Color	Enclosure: Red Lens: Clear	
Operating Temperature Range	Indoor: 32°F to 120°F (0°C to 49°C) Outdoor (SH-1224WP-R): -40°F to 151°F (-40°C to 66°C)	

Light output in percentage when measured from the following directions per UL 1971.

Wall mount vertical dispersion



Degrees	% of Rating	
	Horizontal	Vertical
0	100	100
5~25	90	90
30	75	90
35	75	65
40	75	46
45	75	34
50	55	27
55	45	22
60	40	18
65	35	16
70	35	15
75	30	13
80	30	12
85~90	25	12

Light Output	SH-1224R – Strobe Max. RMS Operating Current (mA RMS)			
	Reg. 12 VDC	Reg. 12 FWR	Reg. 24 VDC	Reg. 24 FWR
15cd	116	152	62	99
35cd	209	267	102	152
60/75cd	254	258	131	190
75cd	NA	NA	146	208
95cd	NA	NA	177	243
110cd	NA	NA	196	268

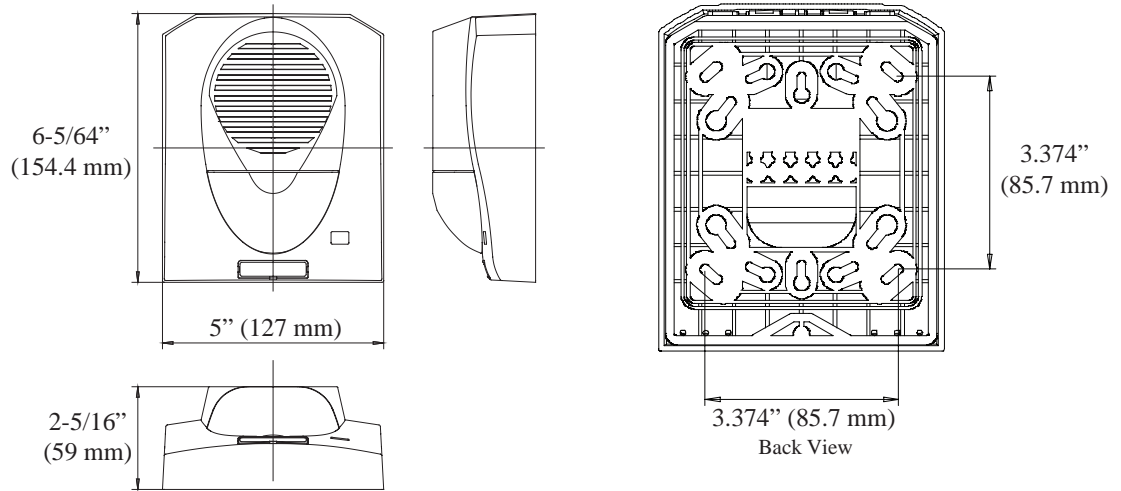
Note: All current draw shown is worst case. To determine total current draw, add desired strobe setting and horn selection. Refer to the installation instructions for further information.

Light Output	SH-1224WP-R – Strobe Max. RMS Operating Current (mA RMS)			
	Reg. 12 VDC	Reg. 12 FWR	Reg. 24 VDC	Reg. 24 FWR
15cd	129	185	100	102
35cd	160	214	135	161
60/75cd	193	239	171	202
75cd	NA	NA	190	228
95cd	NA	NA	211	255
110cd	NA	NA	225	284

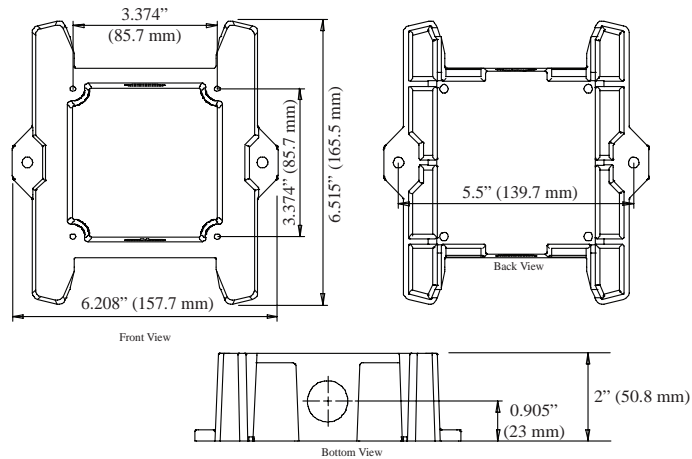
Note: All current draw shown is worst case at -40°F (-40°C). To determine total current draw, add desired strobe setting and horn selection. Refer to the installation instructions for further information.



Dimensions



OPTIONAL BBX-5 OUTDOOR BACK BOX



Dipswitch Settings

Pattern

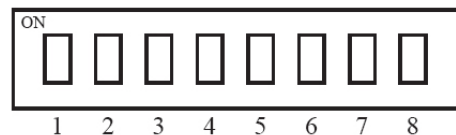
- 1 ON - Non-temporal
- 1 OFF - Temporal
- Both 2 = OFF
- 1 and 2 ON = March Time

Tone

- 3 and 4 ON = 2400Hz
- 3 ON and 4 OFF = Electromechanical
- 3 and 4 OFF = Chime
- 3 OFF and 4 ON = Broadband

Volume

- 5 and 6 ON = High
- 5 ON and 6 OFF = Mid
- 5 and 6 OFF = Low
- 7 and 8 ON = Horn/strobe on 2 wires
- 7 and 8 OFF = Horn and strobe on 4 wires





Non-Temporal Horn Current							
Pattern	Volume	Max. RMS Current (mA RMS Current)		dBA Reverberant Ratings per UL464 (dBA @ 10 ft.)		dBA Anechoic Ratings per CAN/ULC S525 (dBA @ 10 ft.)	
		Reg 12 VDC	Reg 24 VDC	Reg 12 VDC	Reg 24 VDC	Reg 12 VDC	Reg 24 VDC
2400 Hz	High	119	189	87	87	99	100
	Mid	44	110	82	82	94	96
	Low	30	72	79	80	92	92
Electro-Mechanical	High	118	174	86	87	100	100
	Mid	43	98	82	84	96	97
	Low	27	66	79	80	93	93
Broadband	High	146	205	86	86	101	102
	Mid	41	104	81	82	96	98
	Low	28	66	77	79	94	95
Chime	High	27	37	70	70	86	86
	Mid	11	16	62	62	79	80
	Low	9	12	58	57	75	75

Temporal Horn Current							
Pattern	Volume	Max. RMS Current (mA RMS Current)		dBA Reverberant Ratings per UL464 (dBA @ 10 ft.)		dBA Anechoic Ratings per CAN/ULC S525 (dBA @ 10 ft.)	
		Reg 12 VDC	Reg 24 VDC	Reg 12 VDC	Reg 24 VDC	Reg 12 VDC	Reg 24 VDC
2400 Hz	High	124	203	82	82	100	100
	Mid	46	110	77	79	95	96
	Low	30	82	74	75	92	92
Electro-Mechanical	High	114	193	83	82	100	101
	Mid	42	113	78	80	95	96
	Low	28	75	75	76	93	93
Broadband	High	151	219	82	82	101	102
	Mid	45	110	77	78	97	98
	Low	30	79	75	76	94	95
Chime	High	29	35	68	70	86	86
	Mid	10	17	61	61	79	79
	Low	9	12	55	55	75	76

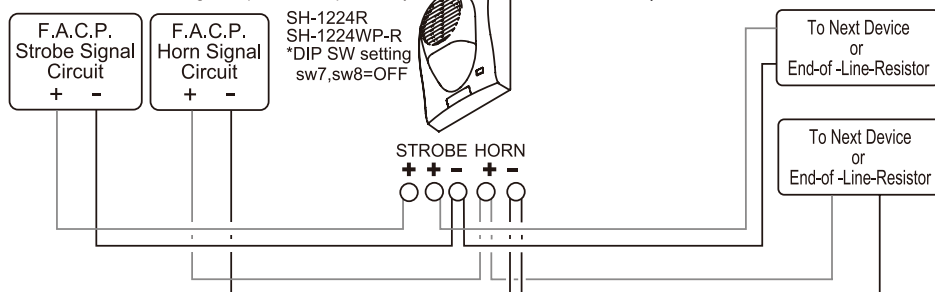
March Time Horn Current							
Pattern	Volume	Max. RMS Current (mA RMS Current)		dBA Reverberant Ratings per UL464 (dBA @ 10 ft.)		dBA Anechoic Ratings per CAN/ULC S525 (dBA @ 10 ft.)	
		Reg 12 VDC	Reg 24 VDC	Reg 12 VDC	Reg 24 VDC	Reg 12 VDC	Reg 24 VDC
2400 Hz	High	121	210	83	84	99	100
	Mid	47	116	79	81	95	96
	Low	36	75	76	77	92	92
Electro-Mechanical	High	114	192	83	83	100	100
	Mid	42	103	80	81	95	96
	Low	30	71	77	77	92	93
Broadband	High	153	230	83	84	101	102
	Mid	42	105	79	80	97	98
	Low	29	79	76	77	94	95



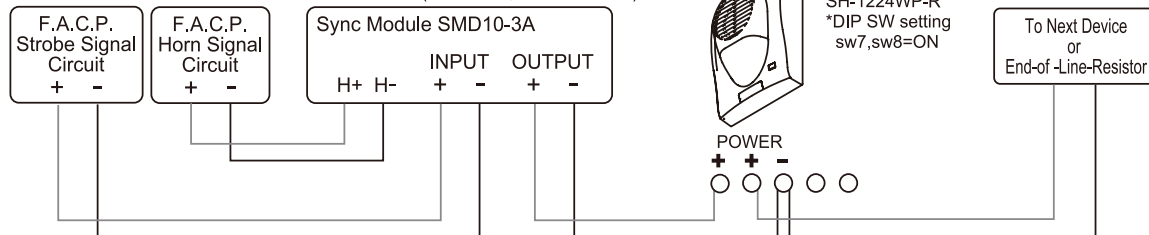
Wiring Diagram

Wiring Observe Polarity Use both terminals (or Lead) for connection. Break wire run to provide electrical supervision.

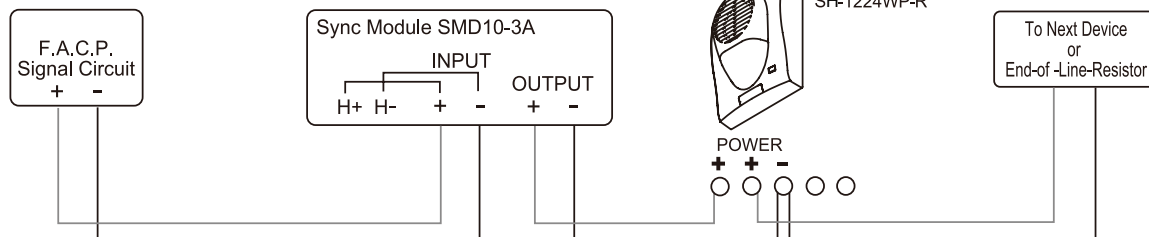
Horn / Strobe Signal Operate Independently



Horn / Strobe Wiring Diagram for Audible Strobe Class "B" Circuit with Audible Silence Feature. (SH-1224R, SH-1224WP-R)



Horn or Strobe Wiring Diagram for Audible Strobe Class "B" Circuit without Audible Silence Feature.



Refer to the SMD 10-3A Sync Module instruction manual for Class "A" wiring or other application diagrams.

⚠ WARNING

High voltage may be present inside the light assembly even though power is not connected. If access to the component board is required (removal or replacement), the capacitor must be discharged by touching a wire to both ends of the flashtube.
DO NOT attempt to touch or move the assembly until the capacitor has been discharged.



Engineering Specifications

The installer shall provide and install the SH-1224R/SH-1224WP-R select-a-horn/strobe. The strobe shall have six (6) candela settings. The candela settings shall be selectable using a drum roller and shall display the candela setting on the front of the device. The horn shall have 33 selectable settings configurable by dip switches. The sounder shall be capable of ANSI Temporal Code 3, March Time and produce a chime output. The horn shall have three distinct volume levels. The strobe/horn shall operate at 12 or 24 VDC regulated or full wave rectified. The horn/strobe shall have an operating range between 8 and 33 VDC. The strobes can be synchronized using a SMD10-3A sync module. The horn/strobe shall utilize a mounting plate that allows the installer to pre-wire the mounting plate. The mounting plate shall be universal and mount on a single gang, double gang, octagon or 4 inch square box. The SH-1224WP-R is listed for both outdoor and indoor applications. For outdoor installations, the device must be mounted on a matching BBX-5 or BBK-1 outdoor bell back box. The mounting plate shall be completely covered by the horn/strobe and shall be secured by a single screw. The strobe/horn shall be UL listed to standard 1638, General Signaling, and standard 1971, Signaling Devices for the Hearing Impaired. In addition, the horn/strobes shall be cUL listed to CAN-ULC S526. The horn shall be UL listed to standard 464, Audible Signaling Devices.

Ordering Information

Model Number	Description	P/N
SH-1224R	Select-A-Horn/Strobe (red)	18647
SH-1224WP-R	Weatherproof Select-A-Horn/Strobe (red)	99986
BBK-1	Weatherproof Bell Backbox (red)	18865
BBX-5	Weatherproof Backbox (red) (included with P/N 99986)	99984
SMD10-3A	Sync Module (one per audible circuit)	18710

Note: Approvals/Listings maintained by and manufactured by Potter Electric Signal Company.

The seller makes no warranties, express or implied, including, but not limited to, the implied warranties of merchantability and fitness for a particular purpose, except as expressly stated in the seller's sales contract or sales acknowledgment form. Every attempt is made to keep our product information up-to-date and accurate. All specific applications cannot be covered, nor can all requirements be anticipated. All specifications are subject to change without notice.



1102 Rupcich Drive
 Millennium Park
 Crown Point, IN 46307
 TEL: (219) 663-1600 FAX: (219) 663-4562
 e-mail: info@janusfiresystems.com
www.janusfiresystems.com