



# SL-1224 SERIES

## SELECT-A-STROBE



P/N: See Chart

- 24 VDC with 15, 35, 60, 75, 95 or 110
- SL-1224-R - Indoor only
- SL-1224WP-R – Outdoor\* or indoor
- 6 distinctive candela settings
- Candela selection view window
- 15/75 ADA compliant on 60cd setting
- Pre-wire back plate
- Universal back plate mounting (single gang, double gang, octagon, or 4" square)
- Single screw mounting
- Low current draw
- Synchronization requires Sync Module (SMD10-3A)

\* Outdoor installation requires the BBK-1 (P/N 18865) or BBX-5 (P/N 99984)

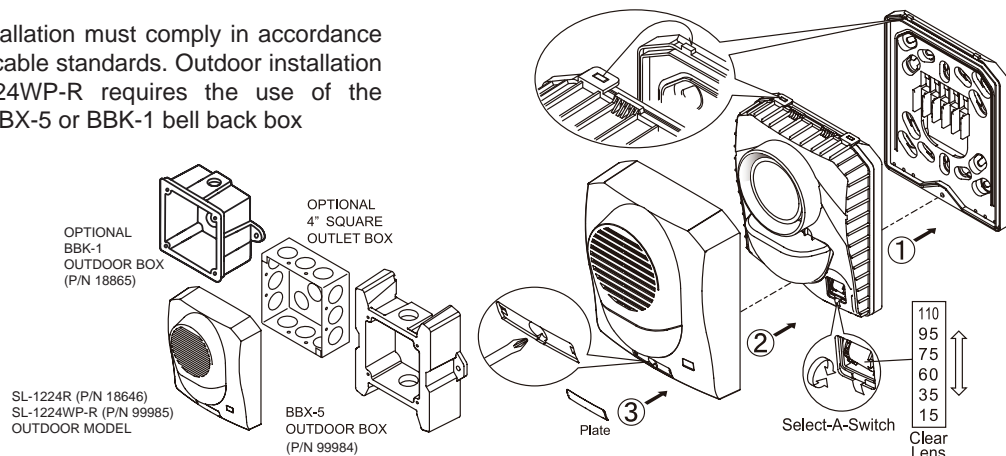
The SL-1224 Strobe Series provides a wide range of candela light output options in a single device. The candela settings are 24 volt operation for the 15, 35, 60, 75, 95 and 110 candela settings. The candela setting is displayed through the front window and is selectable using a drum wheel. The voltage input can be either regulated DC or full wave rectified (FWR) 12 volt or 24 volt with an operating range from 8 to 33V DC. The strobes can be synchronized using a SMD10-3A sync module.

The SL-1224 utilizes a universal mounting plate that will mount on a single gang, double gang, octagon and 4" square electrical boxes. The back plate allows the installer to mount the plate and terminate the wire connections. The strobe attaches in a hinge fashion from the top and is secured by a single mounting screw. The strobe completely covers the mounting back plate, therefore it can be mounted before other trades work is completed and not affect the final look.

The SL-1224WP-R is listed for both outdoor and indoor applications. For outdoor installations, the device must be mounted on a matching BBX-5 back box or BBK-1 outdoor bell back box.

### Installation

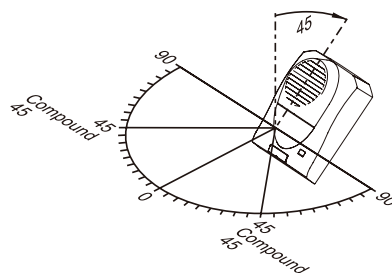
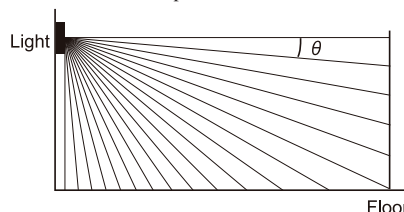
**Note:** Installation must comply in accordance with applicable standards. Outdoor installation of SL-1224WP-R requires the use of the optional BBX-5 or BBK-1 bell back box



| Specifications              |  |                     |
|-----------------------------|--|---------------------|
| Voltage                     | 12/24V   |                     |
| UL Designation              | Regulated 12 DC/FWR  | Regulated 24 DC/FWR |
| Operating Voltage Range     | 8 - 17.5V  | 16 - 33V            |
| Flash Rate                  | 60 times/min.  |                     |
| Sync Modules                | NA   | SMD-103A            |
| Color                       | Enclosure: Red<br>Lens: Clear  |                     |
| Operating Temperature Range | Indoor: 32°F to 120°F (0°C to 49°C)<br>Outdoor (SL-1224WP-R): -40°F to 151°F (-40°C to 66°C) |                     |

Light output in percentage when measured from the following directions per UL 1971.

Wall mount vertical dispersion



| Degrees | % of Rating |          |
|---------|-------------|----------|
|         | Horizontal  | Vertical |
| 0       | 100         | 100      |
| 5~25    | 90          | 90       |
| 30      | 75          | 90       |
| 35      | 75          | 65       |
| 40      | 75          | 46       |
| 45      | 75          | 34       |
| 50      | 55          | 27       |
| 55      | 45          | 22       |
| 60      | 40          | 18       |
| 65      | 35          | 16       |
| 70      | 35          | 15       |
| 75      | 30          | 13       |
| 80      | 30          | 12       |
| 85~90   | 25          | 12       |

| Light Output | SL-1224R Max. RMS Operating Current (mA RMS) |             |             |             |
|--------------|--|-------------|-------------|-------------|
|              | Reg. 12 VDC                                  | Reg. 12 FWR | Reg. 24 VDC | Reg. 24 FWR |
| 15cd         | 115  | 151         | 61          | 99          |
| 35cd         | 208  | 265         | 101         | 151         |
| 60/75cd      | 253  | 256         | 131         | 189         |
| 75cd         | NA   | NA          | 145         | 207         |
| 95cd         | NA   | NA          | 176         | 242         |
| 110cd        | NA   | NA          | 196         | 267         |

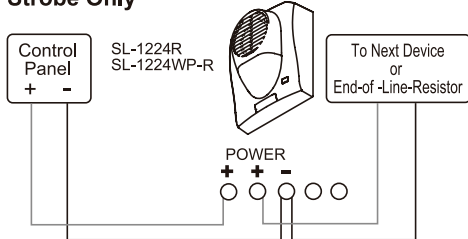
Note: All current draw shown is worst case.

| Light Output | SL-1224WP-R Max. RMS Operating Current (mA RMS) |             |             |             |
|--------------|---|-------------|-------------|-------------|
|              | Reg. 12 VDC                                     | Reg. 12 FWR | Reg. 24 VDC | Reg. 24 FWR |
| 15cd         | 129   | 185         | 100         | 102         |
| 35cd         | 160   | 214         | 135         | 161         |
| 60/75cd      | 193   | 239         | 171         | 202         |
| 75cd         | NA  | NA          | 190         | 228         |
| 95cd         | NA  | NA          | 211         | 255         |
| 110cd        | NA  | NA          | 225         | 284         |

Note: All current draw shown is worst case at -40°F (-40°C)

## Wiring Diagram

### Strobe Only

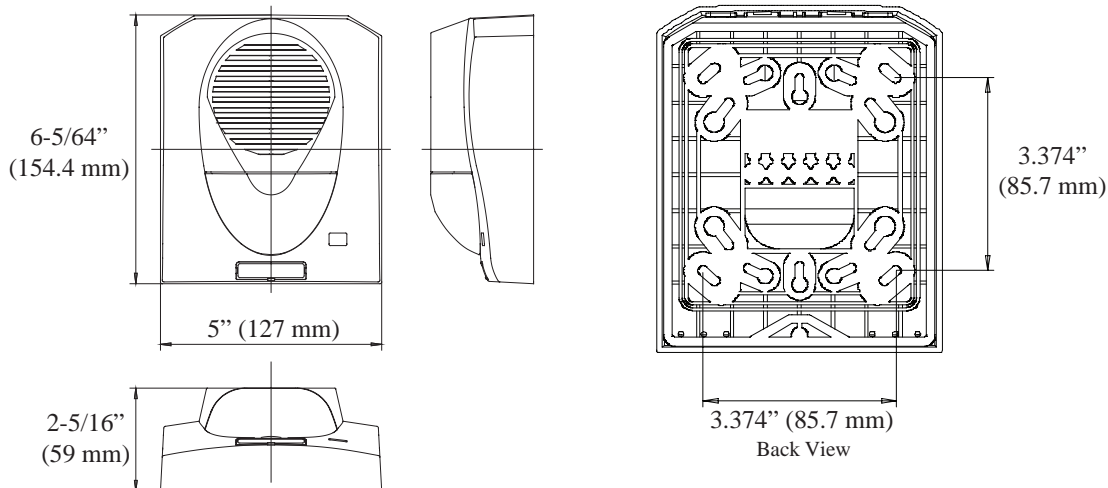


Wiring Observe Polarity Use both terminals (or Lead) for connection. Break wire run to provide electrical supervision.

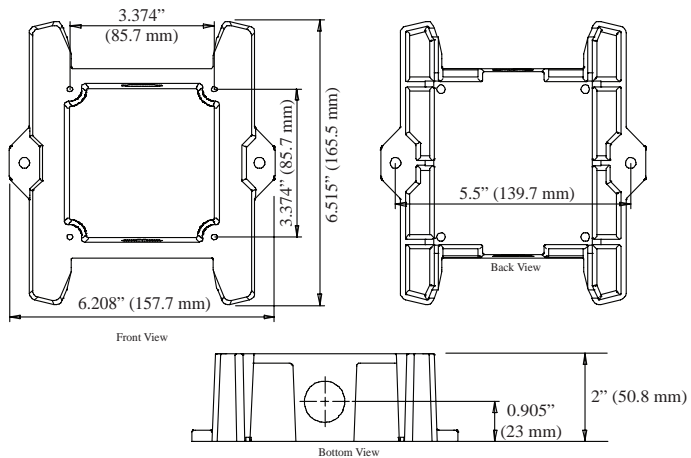
### ⚠ WARNING

High voltage may be present inside the light assembly even though power is not connected. If access to the component board is required (removal or replacement), the capacitor must be discharged by touching a wire to both ends of the flashtube.  
DO NOT attempt to touch or move the assembly until the capacitor has been discharged.

## Dimensions



### OPTIONAL BBX-5 OUTDOOR BACK BOX





## Engineering Specifications

The installer shall provide and install the SL-1224R/SL-1224WP-R select-a-strobe. The strobe shall have six (6) candela settings. The candela settings shall be selectable using a drum roller and shall display the candela setting on the front of the device. The strobe shall operate at 12 or 24 VDC regulated or full wave rectified (FWR) and shall have an operating range between 8 and 33 VDC. The strobes can be synchronized using a SMD10-3A sync module. The strobe shall utilize a mounting plate that allows the installer to pre-wire the mounting plate. The mounting plate shall be universal and mount on a single gang, double gang, octagon or 4 inch square box. The mounting plate shall be completely covered by the strobe and shall be secured by a single screw. The SL-1224WP-R can be mounted outdoor and is listed for such applications. In outdoor installations, the SL-1224WP-R shall be mounted on either a matching BBX-5 or BBK-1 weatherproof back box. The operating range shall be 32°F to 120°F (0°C to 49°C) for the indoor installations and -40°F to 151°F (-40°C to 66°C) for the outdoor installations. The strobe shall be UL listed to standard 1638, General Signaling, and standard 1971, Signaling Devices for the Hearing Impaired. In addition, the strobes shall be cUL listed to CAN-ULC S526.

## Ordering Information

| Model Number | Description  | P/N   |
|--------------|--|-------|
| SL-1224R     | Select-A-Strobe (red)                                | 18646 |
| SL-1224WP-R  | Weatherproof Select-A-Strobe (red)                   | 99985 |
| BBK-1        | Weatherproof Bell Backbox (red)                      | 18865 |
| BBX-5        | Weatherproof Backbox (red) (included with P/N 99985) | 99984 |
| SMD10-3A     | Sync Module (one per audible circuit)                | 18710 |

*Note: Approvals/Listings maintained by and manufactured by Potter Electric Signal Company.*

The seller makes no warranties, express or implied, including, but not limited to, the implied warranties of merchantability and fitness for a particular purpose, except as expressly stated in the seller's sales contract or sales acknowledgment form. Every attempt is made to keep our product information up-to-date and accurate. All specific applications cannot be covered, nor can all requirements be anticipated. All specifications are subject to change without notice.



1102 Rupcich Drive  
Millennium Park  
Crown Point, IN 46307  
TEL: (219) 663-1600 FAX: (219) 663-4562  
e-mail: [info@janusfiresystems.com](mailto:info@janusfiresystems.com)  
[www.janusfiresystems.com](http://www.janusfiresystems.com)