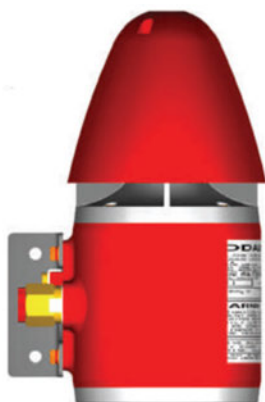




YO6

EXPLOSION-PROOF HORN



P/N: 19029



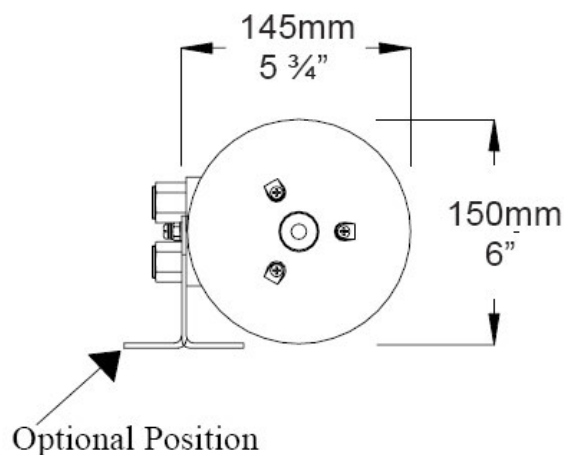
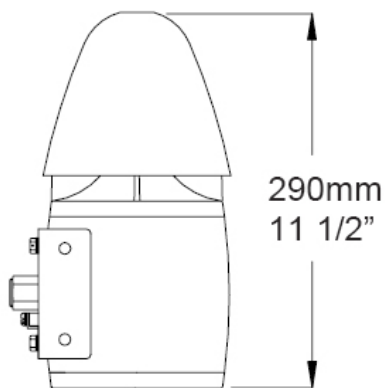
Description

The YO6 explosion-proof horn, combined with suitable Janus Fire Systems® detection and releasing control panels, provides audible alarm indication in an explosion-proof housing.

Features

- Omni Directional high output horn
- 2 stage alarm
- Independently selectable 2nd stage
- Reduced installation costs
- Meets Universal approval
- Low current consumption
- Dual cable entry, cable in – cable out
- LM6 aluminium enclosure
- Stainless steel fasteners
- Weather proof flame retardant ABS horn
- Complies with PFEER regulations
- 32 selectable tones meeting international regulations
- Sound selection via DIP switches (see Tone Table on page 2)
- Cable entries M20 (Europe) via retained adaptors to 1/2" NPT (UL) as standard
- Weight: 11.9 lb (5.4 kg)

Dimensions



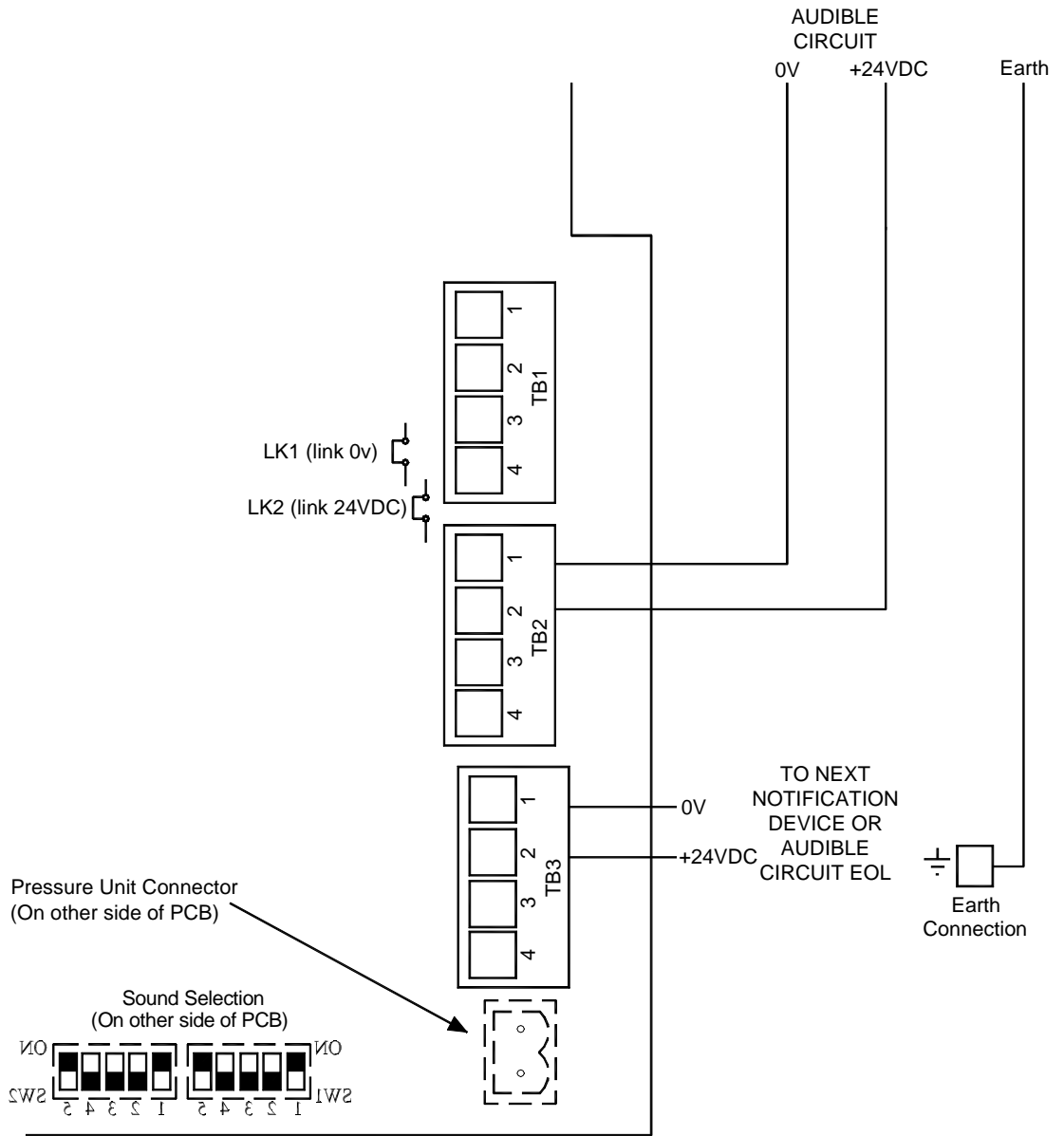


Sound Signal		Freq.	Rept. Rate	Sound Switches	Special Applications	
				1 2 3 4 5		
				SW1, SW2		
1	Alternate two-tone	800-1000	0.5	1 1 1 1 1	Fire Alarms	
2	Alternate two-tone	2500-3100	0.5	0 1 1 1 1	Security Alarms	
3	Alternate fast two-tone	800-1000	0.25	1 0 1 1 1	Increased Urgency	
4	Alternate fast two-tone	2500-3100	0.25	0 0 1 1 1	Security Deterrent	
5	Alternate two-tone	440-554	0.4/0.1	1 1 0 1 1	Evacuation Alarm, FRANCE	
6	Alternate two-tone	430-470	1.0	0 1 0 1 1		
7	Alternate v.fast two-tone	800-1000	0.13	1 0 0 1 1		
8	Alternate v.fast two-tone	2500-3200	0.07	0 0 0 1 1		
9	Alternate two-tone	440-554	2.0	1 1 1 0 1	Turn-out, SWEDEN	
10	Continuous note	700	-	0 1 1 0 1	All Clear, SWEDEN	
11	Continuous note	1000	-	1 0 1 0 1		
12	Continuous note	1000	-	0 0 1 0 1		
13	Continuous note	2300	-	1 1 0 0 1		
14	Continuous note	440	-	0 1 0 0 1		
15	Interrupted tone	1000	2.0	1 0 0 0 1		
16	Interrupted tone	420	1.25	0 0 0 0 1		
17	Interrupted tone	1000	0.5	1 1 1 1 0		
18	Interrupted tone	2500	0.25	0 1 1 1 0		
19	Interrupted tone	2500	0.5	1 0 1 1 0		
20	Interrupted tone	700	6/12	0 0 1 1 0	Pre-vital Message, SWEDEN	
21	Interrupted tone	1000	1.0	1 1 0 1 0		
22	Interrupted tone	700	4.0	0 1 0 1 0	Air-raid Alarm, SWEDEN	
23	Interrupted tone	700	0.25	1 0 0 1 0	Local Warning, SWEDEN	
24	Interrupted tone	720	0.7/0.3	0 0 0 1 0	Industrial Alarm, GERMANY	
25	Int, fast, rising volume	1400	0.25	1 1 1 0 0		
26	Fast siren	250-1200	0.085	0 1 1 0 0		
27	Rising constant, fall	1000	10/40/10	1 0 1 0 0	Industrial Alarm, GERMANY	
28	ISO 8201 Evacuation	800-1000	as std	0 0 1 0 0	International Evacuation Alarm	
29	Fast whoop	500-1000	0.15	1 1 0 0 0		
30	Slow whoop	500-1200	4.5	0 1 0 0 0	Evacuation Alarm, Netherlands	
31	Reverse sweep	1200-500	1	1 0 0 0 0	Evacuation Alarm, GERMANY	
32	Siren	500-1200	3.0	0 0 0 0 0		

switch settings: ON=1 and OFF=0



DC Alarm Connection and Sound Signal Selection



Line monitoring by supply reversal



Technical Specifications

Voltage	Horn	Current	Temperature	Classification
24 VDC	110 dB @ 3.28 ft (1 m)	350 mA	-13°F to 140°F (-25°C to 60°C)	Class I, Div 1, Groups B,C,D Class I, Zone I

Mounting

Mounting bracket provided. Holes 0.35 in (9 mm) diameter. Pitch 2.95 in (75 mm).

Approval Specifications

Underwriters Laboratories UL Standards

UL 464, UL 1203, UL 1638
Control No. 8N30

UL Classifications

Class I Division 1 and 2, Gas Group BCD

CUL Canada

CSA C22.2 No. 25-M1966, CSA C22.2 No. 30-M1986

European Standards

EN.50014:1997 + Amendments 1 & 2; EN.50018:2000:
EN.50281-1-1:1998
Baseefa 02ATEX0212X (IIB)
Baseefa 02ATEX2222X (IIB+H2)
ATEX Directive 94/9/EC

Note: Approvals/Listings maintained by and manufactured by R. Stahl.

The seller makes no warranties, express or implied, including, but not limited to, the implied warranties of merchantability and fitness for a particular purpose, except as expressly stated in the seller's sales contract or sales acknowledgment form. Every attempt is made to keep our product information up-to-date and accurate. All specific applications cannot be covered, nor can all requirements be anticipated. All specifications are subject to change without notice.



1102 Rupcich Drive
Crown Point, IN 46307
TEL: (219) 663-1600 FAX: (219) 663-4562
e-mail: info@janusfiresystems.com
www.janusfiresystems.com